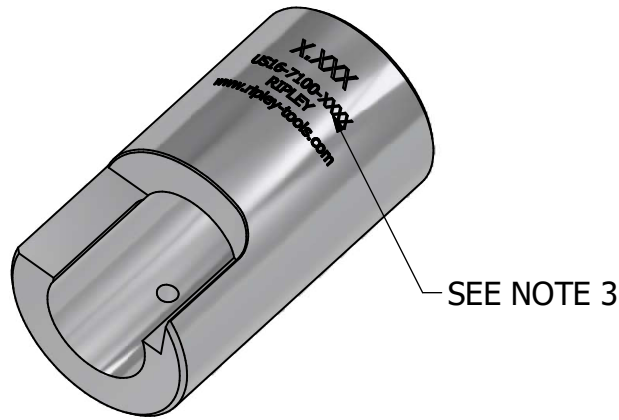


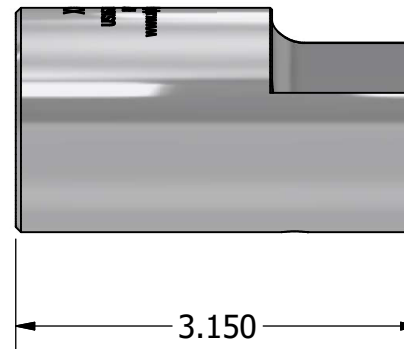
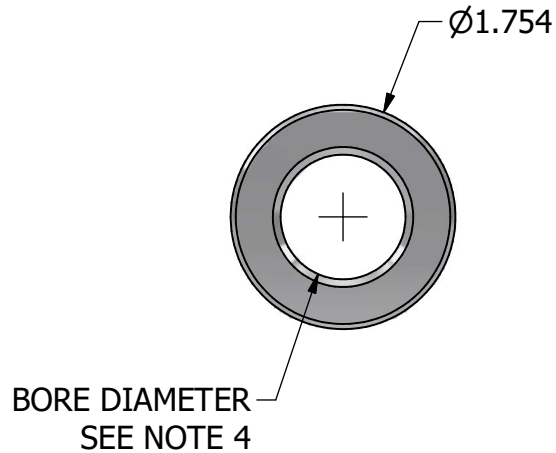
NOTES:

1. MATERIAL: ALUMINUM
2. BUSHING IS COMPATIBLE WITH US16 STRIPPING PLATFORM
3. BUSHING PART NUMBER: US16-7100-XXXX WHERE '-XXXX' IS THE BORE IN INCHES
4. BUSHING BORE IS SIZED BASED ON CABLE OD +0.035" TO +0.060"



EXAMPLE: PART NUMBER: US16-7100-1100

BUSHING BORE 1.100"
CABLE APPLICABILITY: 1.040"-1.065"



THIS DOCUMENT CONTAINS INFORMATION THAT IS CONFIDENTIAL AND PROPRIETARY TO RIPLEY, A DIVISION OF CAPEWELL COMPONENTS COMPANY, LLC. THIS DOCUMENT IS FURNISHED ON THE UNDERSTANDING THAT THE DOCUMENT AND THE INFORMATION IT CONTAINS WILL NOT BE COPIED OR DISCLOSED TO OTHERS OR USED FOR ANY PURPOSE OTHER THAN CONDUCTING BUSINESS WITH RIPLEY, AND WILL BE RETURNED AND ALL FURTHER USE DISCONTINUED UPON REQUEST BY RIPLEY. COPYRIGHT CAPEWELL COMPONENTS COMPANY, LLC. YEAR OF COPYRIGHT IS FIRST YEAR INDICATED ON THIS DOCUMENT. ALL RIGHTS RESERVED.

UNLESS OTHERWISE SPECIFIED: DECIMALS .XX +/- .01 .XXX +/- .005 .XXXX +/- .0002 FRACTIONS +/- 1/64 RADIUS & FILLETS .005-.020 ANGLES +/- 1° DRILLED HOLES +.003/- .001 MACHINED SURFACES 63µIN ID & OD RUNOUT .003 ⚡ (FIM) CRITICAL <XXX> DIMENSION NOTE, NUMBER <X>	DRAWN	BDB	11/9/2021	SIZE A	RIPLEY CROMWELL, CONNECTICUT 06416 USA www.ripley-tools.com
	CHECKED			SCALE 2/3	
	APPROVED	BB	11/9/2021		
	TITLE				
BUSHING AP - GENERIC INTERFACE					
REFERENCE:	DWG NO			REV	
SUPERSEDES:	US16-7100-CI			0	
SHEET 1 OF 1					

0	4627	RELEASED FOR PRODUCTION	OM	1/30/24
REV	ECN	DESCRIPTION	APP'D	DATE